



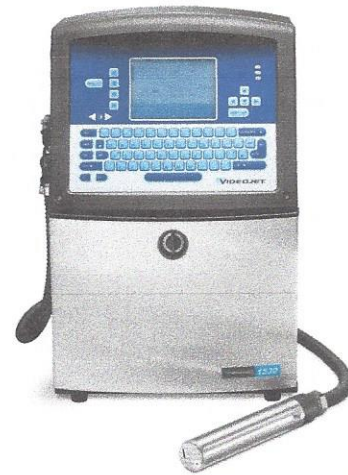
Continuous Inkjet

# Videojet® 1530

Maximize planned production time. Minimize cost of ownership. The 1530 is engineered for simple yet robust operation for medium duty applications.

Designed with uptime in mind, the Videojet 1530 offers Long Life Core™ technology designed to deliver five years of operation between planned wear parts replacement.<sup>(1)</sup> Ideal for manufacturers who print multiple shifts per day, the 1530 features deliver simple usability and reduced maintenance burden.

The 1530 is a highly flexible platform specifically designed for medium duty applications. Its broad operating range and extensive ink options make it an ideal choice across a variety of applications.



## Uptime Advantage

- Long Life Core™ technology delivers 5 years of operation from point of installation<sup>(1)</sup>
- CleanFlow™ technology resists ink buildup that can cause ordinary inkjet printers to shut down
- Internal pump means no external air, minimizing potential for contaminants to enter ink stream
- Auto cleaning printhead for fast start-ups, even after extended shutdowns

## Built-in productivity

- Dynamic Calibration™ adjusts jetting parameters automatically to help ensure high quality print
- Print 1 to 5 lines of print for a range of coding needs
- Smart Cartridge™ fluid delivery system to virtually eliminate spills and help ensure the correct fluids are being used

## Code Assurance

- Multiple password protected access levels to system control menus help avoid unintentional input errors
- Storable print messages with pre-set and calculated fields minimize required user input
- Easy Videojet CLARISOFT® and CLARISUITE® integration allows for remote control of advanced code functionality

## Simple usability

- Bright display with WYSIWYG and function keys for easy operation
- Store up to 100 complex messages for easy recall – store even more messages using a standard USB memory stick
- User levels to separate operation from installation and maintenance

(1) Parts-only limited warranty prorated for the remaining life at time of warranty replacement. Please check with your Videojet partner for details, as local availability may vary.



# Videojet® 1530

## Continuous Inkjet

### Line speed capability

Can print 1 to 5 lines of print at speeds of up to 914ft/min (279m/min) (10 characters per inch, single line of print)

### Font matrix configuration

Single-line: 5x5, 5x7, 7x9, 9x12, 10x16, 16x24, 25x34  
Twin-line: 5x5, 5x7, 7x9, 9x12, 10x16  
Tri-line: 5x5, 5x7, 7x9  
Quad-line: 5x5, 5x7  
Five-line: 5x5

### Linear bar codes

UPC A&E; EAN 8 & 13; Code 128 A, B & C;  
UCC/EAN 128; Code 39; Interleaved 2 of 5

### DataMatrix codes

10x10, 12x12, 14x14, 16x16, 18x18, 20x20, 24x24, 34x34

### Nominal character height

Selectable from 0.079" (2mm) to 0.40" (10mm), depending on font

### Throw distance

Optimal: 0.472" (12mm)  
Range: 0.197" (5mm) to 0.591" (15mm)

### Keyboard

Membrane style with tactile feedback, including 72 numeric, alphabetic, and special function keys. PC-style layout to approximate international PC convention.

### Display

320x240 Bright blue backlit 5.7" LCD display  
WYSIWYG onscreen message editing

### Custom logo/graphics

Can be created directly on printer or PC with optional Videojet Logo Creator software

### Character sets

Chinese, Russian/Bulgarian, Turkish/Scandinavian, Greek, Arabic, Japanese/Kanji, Hebrew, Korean, East European and European/American

### Languages and interface options

English, Arabic, Bulgarian, Czech, Danish, Dutch, Finnish, French, German, Greek, Hebrew, Hungarian, Italian, Japanese, Korean, Norwegian, Polish, Portuguese, Russian, Spanish, Swedish, Thai, Turkish and Vietnamese  
Willett Simple Interface (WSI)

### Data interface

RS232, RS485 and ethernet (standard)  
Clarisoft®/Clarinet® via RS232 and ethernet  
Message management via USB

### Message storage

100 complex messages; unlimited storage using USB

### Environmental protection

IP55 (IP65 option); no plant air required; stainless steel cabinet

### Printhead

Heated printhead  
Positive air (standard)  
Diameter: 1.63" (41.3mm)  
Length: 10.62" (269.8mm)

### Printhead umbilical

Ultra flexible  
Length: 9.84' (3m) optional 19.69' (6m)  
Diameter: 0.91" (23mm)  
Bend radius: 4.0" (101.6mm)

### Make-up fluid consumption

As low as 2.4ml per hour

### Fluids containers

Ink Smart Cartridge™ 0.793qt. (750ml)  
Make-up Smart Cartridge 0.793qt. (750ml)

### Temperature/humidity range

32°F to 122°F (0°C to 50°C)  
10% to 90% RH non-condensing  
With selected inks; actual installation may require additional hardware based on production environment conditions

### Electrical requirements

Nominal supply power 100-120 / 200-240 VAC at 50/60 Hz., 120 W

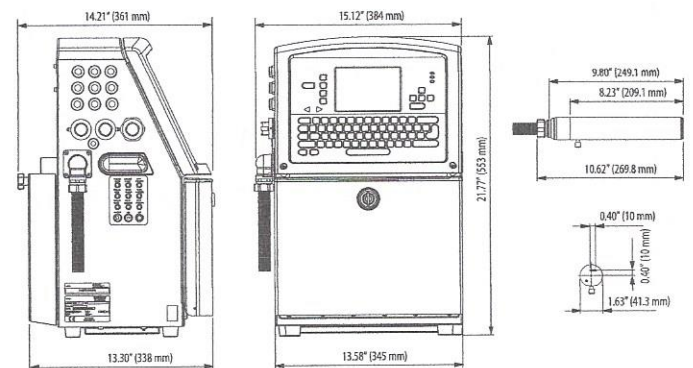
### Approximate weight

Unpacked and dry: 46.2lbs. (21kg)

### Options

Dry air kit for high humidity (requires plant air)  
60 or 70 micron nozzle  
90 degree printhead  
Wide range of accessories

(IP65 version shown)



CERTIFIED  
ISO 9001  
DOCUMENTED QUALITY



Call +91 75060 01861  
Email [marketing.india@videojet.com](mailto:marketing.india@videojet.com)  
or visit [www.videojet.in](http://www.videojet.in)

Videojet Technologies (I) Pvt. Ltd.  
Unit 101 / 102, Rupa Solitaire,  
Building No. A-1, Sector -1,  
Millennium Business Park, Mahape,  
Navi Mumbai - 400710,  
Maharashtra, India

© 2016 Videojet Technologies Inc. — All rights reserved.

Videojet Technologies Inc.'s policy is one of continued product improvement.  
We reserve the right to alter design and/or specifications without notice.

ss-1530-row-en-in-0516

